



Al-Mustaqbal University
College of Engineering and Engineering Techniques
Computer Techniques Engineering Department
Real Time System Design



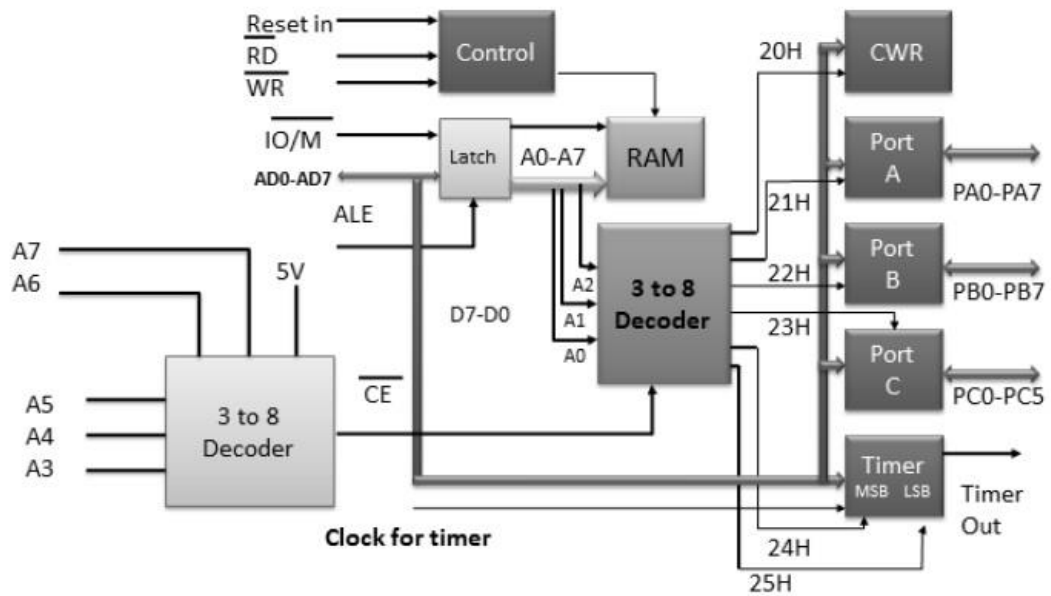
جامعة المستقبل
AL MUSTAQBAL UNIVERSITY

كلية الهندسة و التقنيات الهندسية
قسم هندسة تقنيات الحاسوب

Class: Third year
Lecturer: Dr. Hussein Alzaidy



Discussion questions



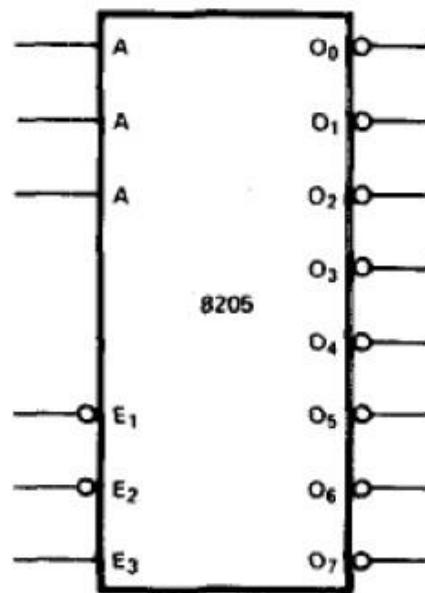
Ex: design (draw) and determine the address of the control/status, I/O ports and timer register of the 8155 if the output of decoder O2?



How to Calculate Address of control register and I/O Ports of 8155?

By using 3 to 8 decoder 8205 which have 3 enables.

Why and How?



Ex 1: Design (draw and explain) an interfacing circuit using the 8155 to read and display data from an A/D converter to meet the following requirement:-



Al-Mustaqbal University
College of Engineering and Engineering Techniques
Computer Techniques Engineering Department
Real Time System Design

Ex: Design an interfacing circuit to read data from an A/D converter using the 8155A in the peripheral mapped I/O.

