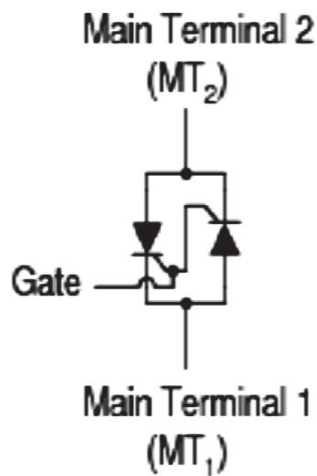


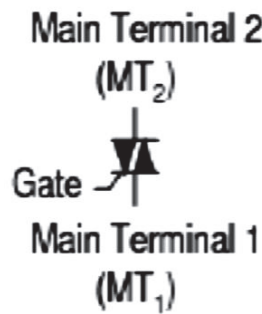
Triac and diac

1. Triac application.
2. Diac application .

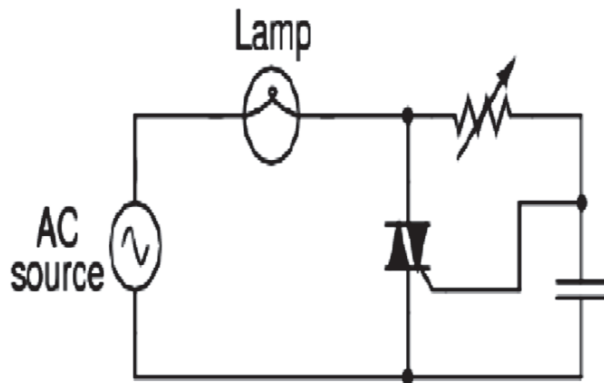
1. Triac



TRIAC equivalent circuit

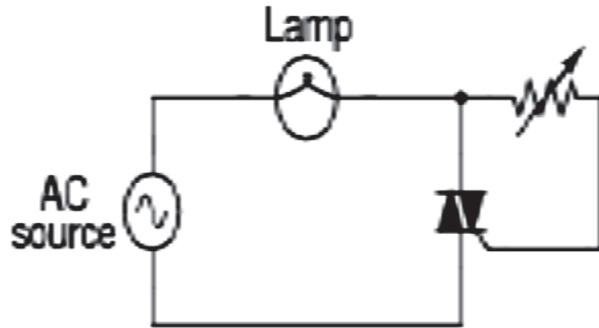


TRIAC schematic symbol



TRIAC phase-control of power

2. DIAC



DIAC improves symmetry of control

