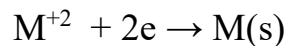


Electrogravimetric and Coulometric analysis

Theory :

A metal is electrolytically deposited on the electrode by increasing the mass of the electrode.



$$E_{\text{electrolysis}} = E_{\text{cathode}} - E_{\text{anode}}$$

The electrons deposition is governed by Ohm's and Faraday's laws of electrolysis which states that :

- 1- the amount of the electrons deposited on the electrode is directly proportional to the amount of the current passed through the solution
- 2- the amount of different substances deposited is directly proportional to the molar masses divided by the number of electrons involved in the electrolysis process.

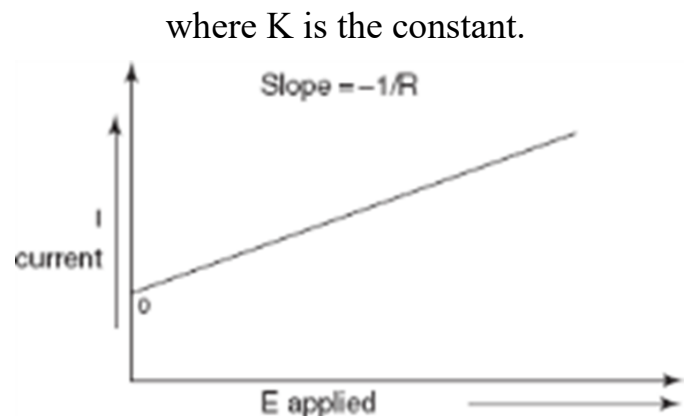
That is the current (**I**) is directly proportional to the electromotive force (**E**) and is indirectly proportional to the resistance (**R**).

$$E = I \cdot R$$

From the above equation, we get the following:.

- **E_{electrolysis} = E_{cell} - I · R**
- **E_{cell} = E_{cathode} - E_{anode}**
- **E_{applied} = E_{cathode} - E_{anode} - I · R**
- **I = (-E_{applied}/R) + 1/R(E_{cathode} - E_{anode})**
- **I = (E_{cell} - E_{applied}/R)**
- **I = (-E_{applied}/R) + K**

A plot of the current of the applied potential in an electrolytic cell should be straight line with a slope equal to negative reciprocal of the resistance



Electrometry :

- ❖ Electrometry is a method used to separate the ions of a substance, usually a metal. In this process, the electrolysis solution is electrolyzed.
- ❖ Electrochemical reduction leads to the deposition of the analyte on the cathode.
- ❖ The mass of the cathode is determined before and after the experiment, and the difference is used to calculate the mass of the analyte in the original solution.

Electrogravimetric and Coulometric analysis:

- ❖ Electrogravimetry is a method used to separate and quantify ions of a substance, usually a metal. It is a method for the separation of the metal ions by using the electrodes.
- ❖ Electrochemical reduction causes the analyte to be deposited on the cathode. The deposition takes place on the one electrode.
- ❖ The mass of the cathode is determined before and after the experiment, and the difference is used to calculate the mass of analyte in the original solution. This gives the amount of the metal present in the given sample solution.
- ❖ The weight of this electrode is determined before and after deposition.
- ❖ Controlling the potential of the electrode is important to ensure that only the metal being analyzed will be deposited on the electrode.

What is the difference between Electrogravimetry and coulometry?

1. There are both the methods are quite sensitive, rapid and accurate.
2. In electrogravimetry, the product is weighed as a deposit on one of the electrodes. In coulometry, the quantity of electricity. needed to complete the electrolysis is measured as coulombs.

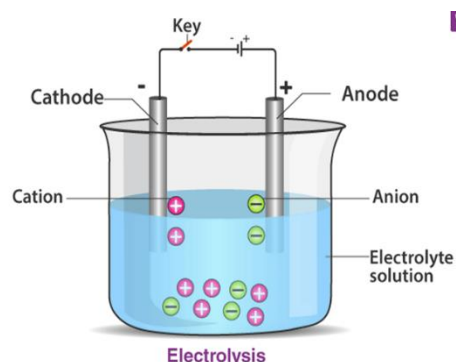
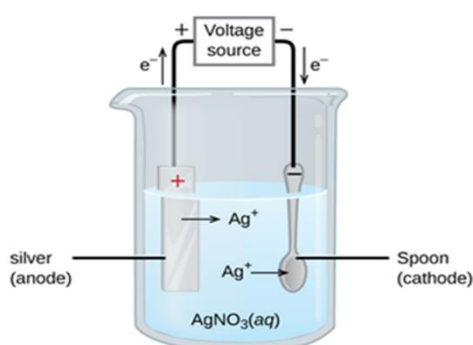
(A) Electrogravimetric analysis

The applications of electrogravimetry?

- 1- It is used for the determination of concentration of chemical elements very accurate and precisely in quantitative analysis.
- 2- In a solution the different species are separated by selectively plating out and removing out
- 3- It is used in electrochemical methods for removing interferences.

Principle:

The main principle involved in this method is the deposition of the solid on an electrode from the analyte solution.



Electrogravimeter:

- ❖ The material is deposited by means of potential application.
 - ❖ The electrons are transported to electrode by the following mechanisms
- 1- Diffusion.
 - 2- Migration.
 - 3- Convection.

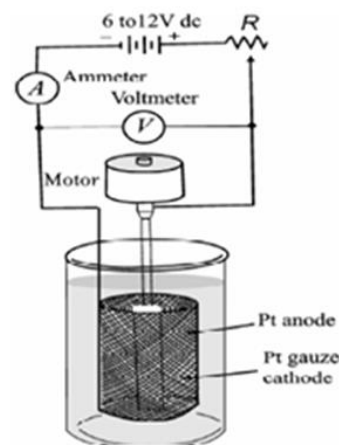
Types of Electrogravimetry Methods:

There are mainly two types of electrogravimetry methods:

- 1- Constant current electrolysis.
- 2- Constant potential electrolysis.

1- Constant current electrolysis:

- ❖ Here no control of the potential of the working electrode is exercised, and the applied cell potential is held at a more or less constant level but provides a large enough current to complete the electrolysis in a reasonable length of time
- ❖ By name itself it indicates that the constant current is applied for the electrons deposition. The instrument is composed of a cell and direct current source
- ❖ A 6 V battery, an ammeter and a voltmeter are used .The voltage applied is controlled by a resistor.



2-Constant potential electrolysis:

- ❖ In this method, the potential of the cathode is controlled.
- ❖ It consists of two independent electrode circuits that are connected with a common electrode.
- ❖ For the better results, three electrode systems reused.
 1. **Working electrode:** used for the deposition of the sample.
 2. **Counter electrode:** used as a current sink.
 3. **Reference electrode:** maintains the fixed potential despite the changes in solution components.

Electrode Used in the Electrogravimetry:

- ❖ The electrode used in the electrogravimetry should possess the following characters:
 - ❖ It should be non-reactive.
 - ❖ It should be readily ignited to remove the organic matter.
 - ❖ The commonly used electrode is the mercury cathode electrode for the deposition.
 - ❖ This has the following advantages:
 1. It forms the amalgam with number of metals.
 2. It has a high hydrogen voltage.
 3. In this method, the precipitated elements are dissolved in the mercury
 4. This method is mainly used in the removal of the reduced elements

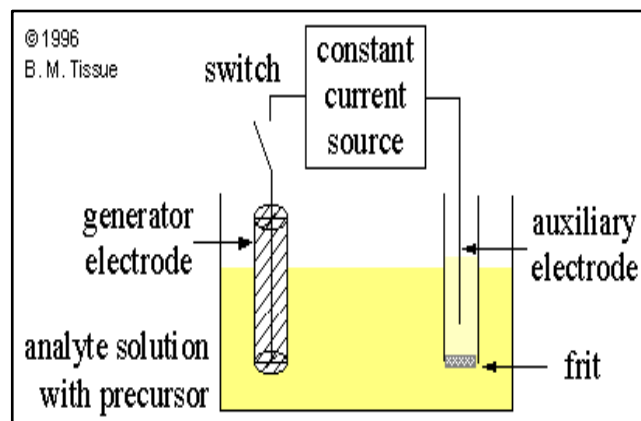
Applications:

- ❖ Used in the successive deposition of the metals.
 - **Example:** Cu, Bi, Pb, Cd, Zn and Sn.
- ❖ Used in the simultaneous deposition of the metals.
- ❖ Used in the electro synthesis.
- ❖ Used in the purification process by removing the trace metals from the samples

(B) Coulometry

- ❖ This method is the measurement of the quantity of the electricity. This is mainly estimated by the reaction of electrode.
- ❖ There are mainly two types of coulometric techniques.:

- 1- Controlled-potential coulometry, in which we apply a constant potential to the electrochemical cell.
- 2- Controlled-current coulometry, in which we pass a constant current through the electrochemical cell.



Theory:

- ❖ The coulometric methods are mainly based on the measurement of the quantity of the electricity.
- ❖ The sample which is to be determined undergoes the reaction at the electrode which is measured at the electrode.
- ❖ The completion of the reaction is indicated by the decrease in the current to zero.
- ❖ This can be measured by the coulometer.
- ❖ The substance which is to be determined is first electrolyzed by the constant current.
- ❖ Then the total current is determined by the following equation:

$$\text{Total current} = \text{product current} \times \text{time}$$

Principle :

The main principle involved in the coulometry is the measurement of the quantity of the electricity which is directly proportional to the chemical reaction at the electrode. This is given by the **Faraday's first law**:

$$W = \frac{M_r \times Q}{96,487n}$$

Where:

Q is the consumed current;

Mr is the relative molecular weight.

The mass of a substance produced by electrolysis is proportional to the quantity of electricity used.

Faraday's Law of Electrolysis:

- ❖ Faraday's first Law It is one of the primary laws of electrolysis. It states, during electrolysis, the amount of chemical reaction which occurs at any electrode under the influence of electrical energy is proportional to the quantity of electricity passed through the electrolyte.
- ❖ Faraday's second law of electrolysis states that if the same amount of electricity is passed through different electrolytes, the masses of ions deposited at the electrodes are directly proportional to their chemical equivalents.

