

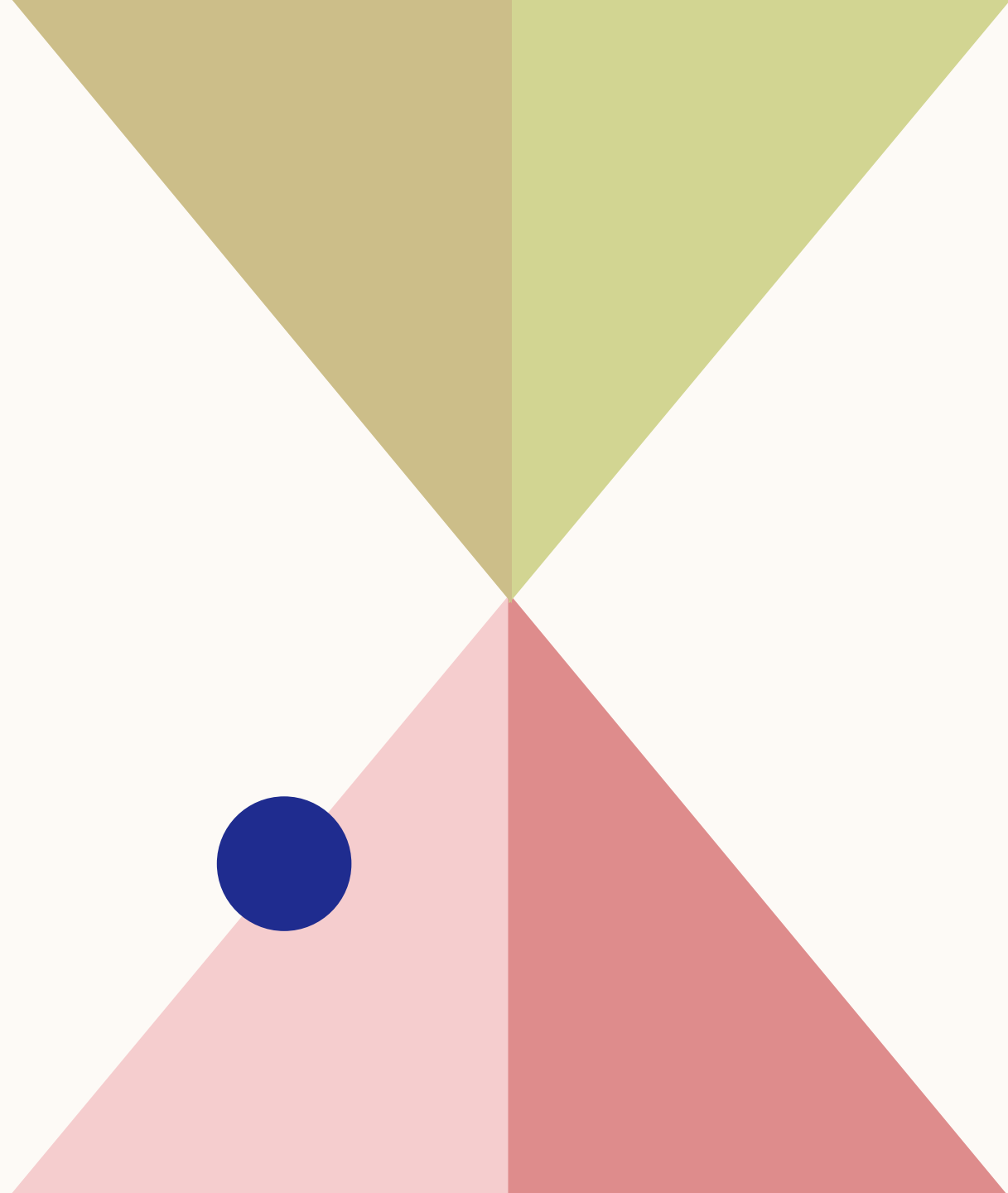
Drawing rectangular I

LECTURE SEVEN

Asst. lecturer
ISRAA HUSSEIN

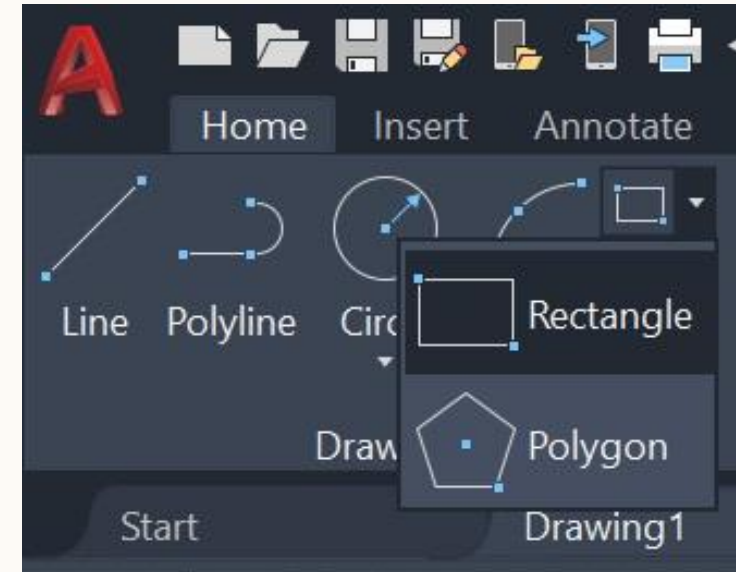
Objectives

Draw rectangular
rectangular option



1. Rectangle

- The arc tool can be arrived from:
- Home> draw> rectangle
- From the command window by write **RECTANG** after that click **enter**
- Command: **RECTANG enter**
- Specify first corner point or [Chamfer/Elevation/Fillet/Thickness /Width]:



- rectangle options
 - **Rectangle by two opposite corners.**
 - In AutoCAD, You can draw rectangle by entering coordinate of two corner points.



Fig 5.1: Rectangle by two opposite corner options

يمكن رسم المستطيل عن طريق ادخال احداثيات نقطتين زاوية (شرط ان تكون النقاط متعاكسة كما في الشكل 5.1 نقطة 1 و 2).

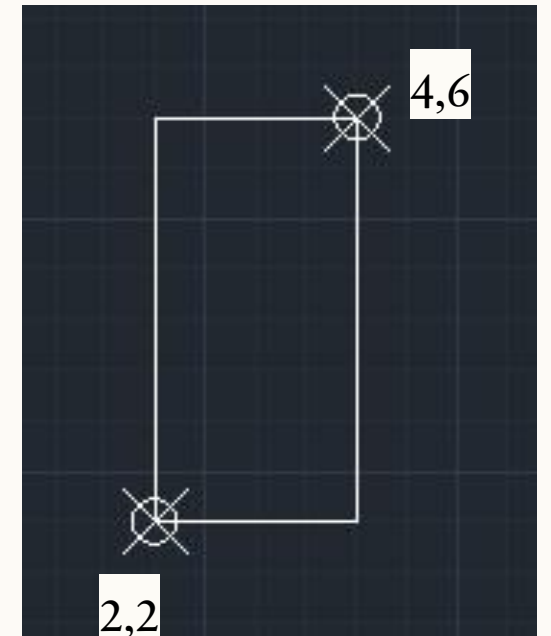
Draw rectangle with first corner point(2,2) and second opposite corner point (4,6)?

Command: RECTANG **enter**

Specify first corner point or

[Chamfer/Elevation/Fillet/Thickness/Width]: **2,2 enter**

Specify other corner point or [Area/Dimensions/Rotation]: **4,6 enter**



- Rectangle by specify first corner and area .
- In AutoCAD, You can draw rectangle by entering coordinate of the first corner point and area (selected by the option of the other corner point by write **a** after that specify length or width of rectangle.
- $\text{Area} = \text{length} * \text{width}$

يمكن رسم المستطيل عن طريق ادخال احدائي الزاوية الأولى للمستطيل ثم تحديد المساحة عن طريق كتابة حرف **a**. عند طلب الزاوية الأخرى كما في المثال ادناه.

Draw rectangle that area=6 units as shown in the figure (5.2)?

Command: RECTANG **enter**

Specify first corner point or

[Chamfer/Elevation/Fillet/Thickness/Width]: **2,2 enter**

Specify other corner point or [Area/Dimensions/Rotation]: **a enter**

Enter area of rectangle in current units <6.0000>: **6 enter**

Calculate rectangle dimensions based on [Length/Width]

<Length>: **L enter**

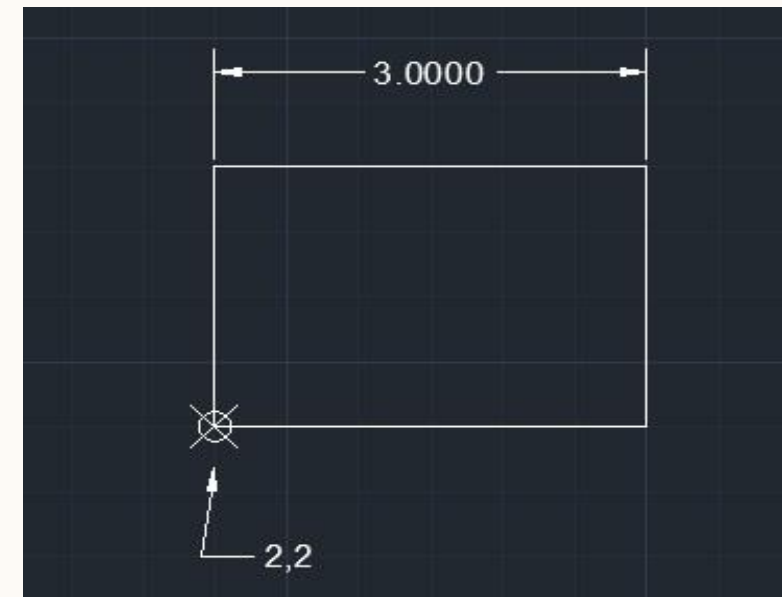


Figure (5.2)

- **Rectangle by specify first corner and dimension .**
- In AutoCAD, You can draw rectangle by entering coordinate of the first corner point and dimensions (selected by the option of the other corner point by write **d** after that specify length or width of rectangle.

يمكن رسم المستطيل عن طريق ادخال احداثي الزاوية الأولى للمستطيل ثم تحديد الابعاد عن طريق كتابة حرف **d**. عند طلب الزاوية الأخرى كما في المثال ادناه.

Draw rectangle as shown in the figure (5.3)?

Command: RECTANG **enter**

Specify first corner point or

[Chamfer/Elevation/Fillet/Thickness/Width]: **3,4 enter**

Specify other corner point or [Area/Dimensions/Rotation]: **d enter**

Specify length for rectangles <5.0000>: **4 enter**

Specify width for rectangles <2.0000>: **1 enter**

Specify other corner point or [Area/Dimensions/Rotation]:
click to the orientation of the rectangle

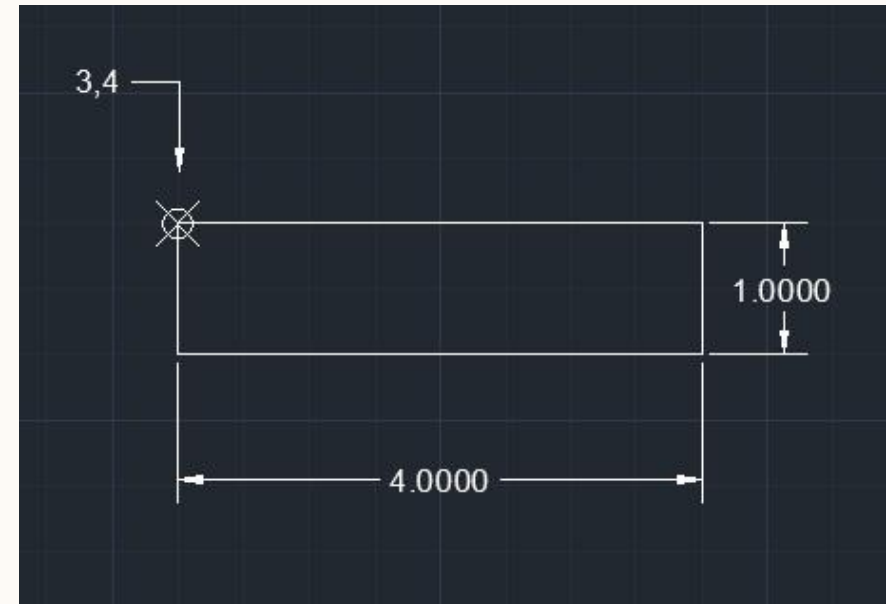


Figure (5.3)

- Rectangle by specify first corner and rotation (angle) .
- In AutoCAD, You can draw rectangle by entering coordinate of the first corner point and rotation for other corner (selected by the option of the other corner point by write **r** after that specify area or dimension of rectangle.

يمكن رسم المستطيل عن طريق ادخال احدائي الزاوية الأولى للمستطيل ثم تحديد زاوية ميلان المستطيل
وبعد ذلك ندخل المساحة او الابعاد .



Example. Draw rectangle that area=8 units as shown in the figure (5.4)?

solution

Command: RECTANG **enter**

Specify first corner point or

[Chamfer/Elevation/Fillet/Thickness/Width]: **4,4 enter**

Specify other corner point or [Area/Dimensions/Rotation]: **r enter**

Specify rotation angle or [Pick points] <60>: **60 enter**

Specify other corner point or [Area/Dimensions/Rotation]: **a enter**

Enter area of rectangle in current units <3.0000>: **8 enter**

Calculate rectangle dimensions based on [Length/Width]

<Length>: **l enter**

Enter rectangle length <3.0000>: **4 enter**

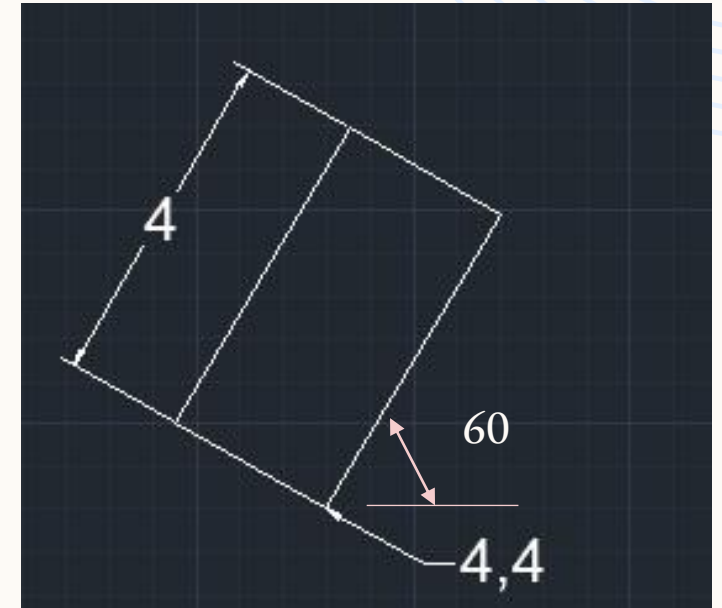


Figure (5.4)

THANK YOU

The background features a large white circle on the left and a large light pink circle on the right, both overlapping a dark blue background. The pink circle contains several thin, white, concentric curved lines.