

Al-Mustaqbal University
College of Healthcare and Medical Techniques
Fourth stage
Medical Physical Department



جامعة المستقبل
AL MUSTAQBAL UNIVERSITY

Medical Imaging Processing

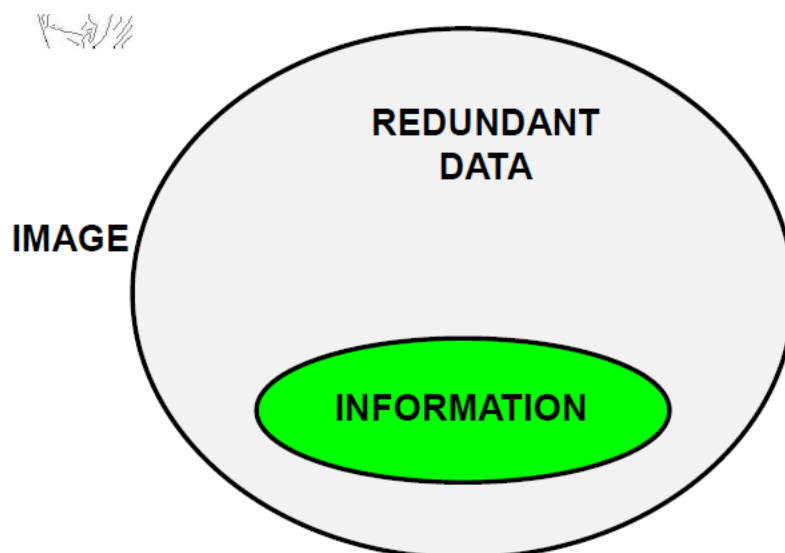
*Interpixel Redundancy (Psychovisual Redundancy) and JPEG
Compression*

By

Asst. Prof. Dr. Mehdi Ebady Manaa

Compression Fundamentals

Data compression refers to the process of reducing the amount of data required to represent given quantity of information. Note that data and information are not the same. Data refers to the means by which the information is conveyed. Various amounts of data can represent the same amount of information. Sometimes the given data contains some data which has no relevant information, or restates/repeats the known information. It is thus said to contain ***data redundancy***.



$$\text{IMAGE} = \text{INFORMATION} + \text{REDUNDANT DATA}$$

Given n_1 and n_2 denoting the information-carrying units in two data sets that represent the same information/image.

•The Relative data redundancy R_D of the first data set, n_1 , is defined by:

$$R_D = 1 - \frac{1}{C_R}$$

• C_R refers to the compression ratio and is defined by:

$$C_R = \frac{n_1}{n_2}$$

•If $n_1 = n_2$, then $CR=1$ and $RD=0$, indicating that the first representation of the information contains no redundant data.

•A typical compression ratio around 10 or(10:1) indicates that 90% ($RD=0.9$) of the data in the first data set is redundant.

Example :

1. n_1 and n_2 : These variables represent the number of information-carrying units in two different datasets. For example, in the context of images, these units could be **pixels**.
2. Relative data redundancy (RD): It measures the amount of redundant information in the first dataset (n_1). If RD is 0, it means there is no redundant data.
3. Compression Ratio (CR): It signifies how much the data is compressed. A CR of 1 means no compression.

consider two datasets representing the same grayscale image. Let's say n_1 is the number of pixels in the original image, and n_2 is the number of pixels in a compressed version of the same image.

- n_1 (original image) = 1000 pixels

- n_2 (compressed image) = 500 pixels

In this case, the compression ratio (CR) would be:

$$CR = n_1/n_2 = 1000/500 = 2$$

The relative data redundancy (RD) can be calculated using the formula provided:

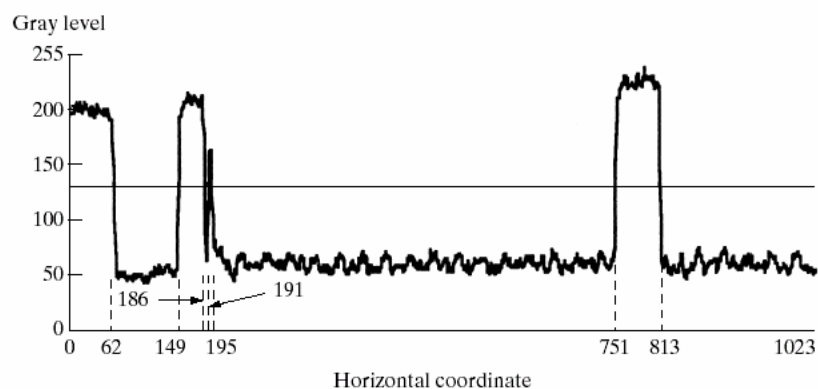
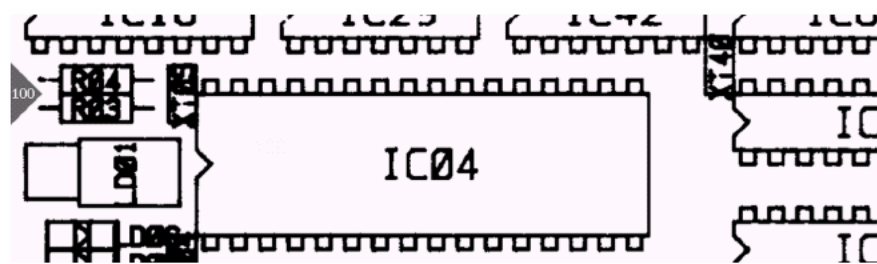
$$RD = 1 - (1/2) = 0.5$$

Here, RD is 0.5, indicating that 50% of the data in the original dataset is redundant in the compressed version. If n_1 equaled n_2 , the CR would

be 1, and RD would be 0, signifying no redundant data in the compressed representation.

Interpixel Redundancy

This type of redundancy is related with the interpixel correlations within an image. Much of the visual contribution of a single pixel is redundant and can be guessed from the values of its neighbors.



Line 100: (1, 63) (0, 87) (1, 37) (0, 5) (1, 4) (0, 556) (1, 62) (0, 210)

- Given a 1024x343 binary image
- Consider a line crossing the image at line 100
- The respective line of 1024 bits can be represented by the Run-length code given at the bottom.
- Note that in this line there is 8 regions that are 1 or 0 with the specified run-length. Total of 11 bits (1 bit for thresholded value and 10 bit for the run length) can be used to represent each of these 8 neighborhoods.

The resulting compression ratio and respective relative redundancy is given by:

$$C_R = \frac{(1024)(343)(1)}{(12166)(11)} = 2.63$$

1-bit for each pixel

Determined by thresholding each line and counting the run-length regions

$$R_D = 1 - \frac{1}{2.63} = 0.62$$

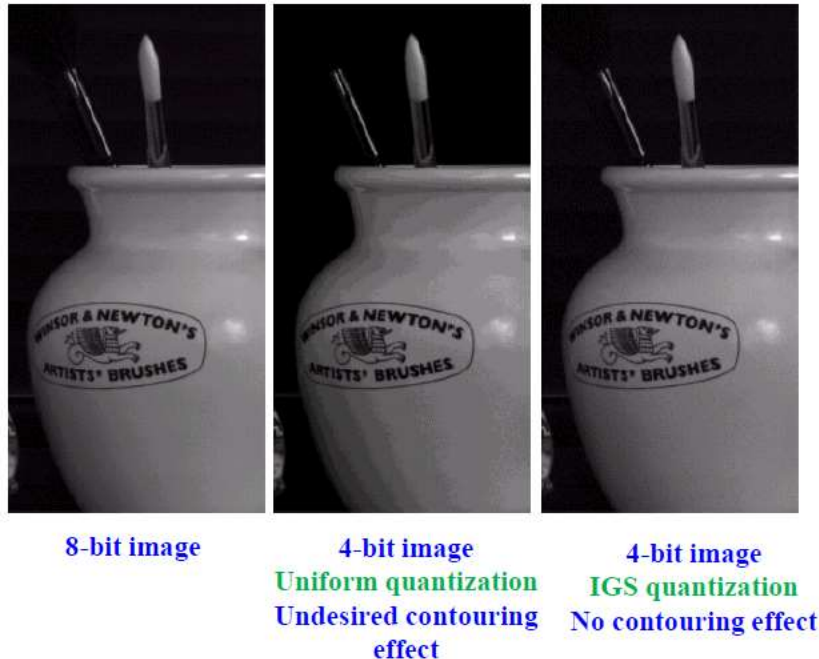
The relative redundancy is %62 obtained only by using correlation among the pixels (interpixel dependencies) in the given image. This method can be extended to gray level images.

Psychovisual Redundancy

- Certain information has relatively less importance for the quality of image perception. This information is said to be psychovisually redundant.
- Unlike interpixel redundancies, the psychovisual redundancy is related with the real/quantifiable visual information. Its elimination results a loss of quantitative information. However psychovisually the loss is negligible.
- Removing this type of redundancy is a lossy process and the lost information cannot be recovered.

•The method used to remove this type of redundancy is called quantization which means the mapping of a broad range of input values to a limited number of output values.

The following example shows how an 8-bit image can be reduced to 4-bit image.



JPEG Compression

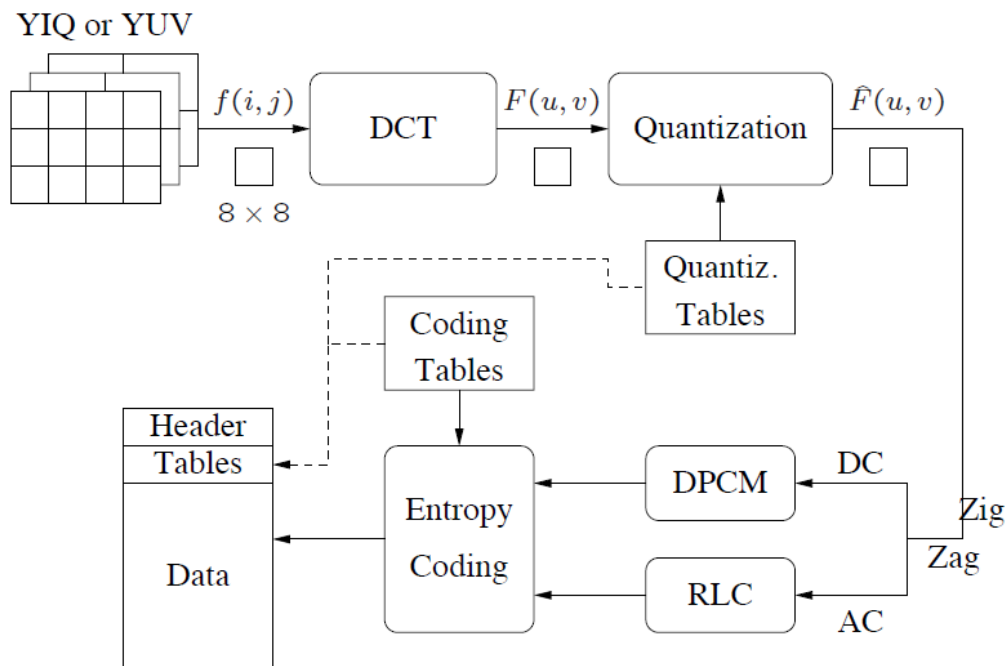
What is JPEG? "Joint Photographic Expert Group". Voted as international standard in 1992. Works with color and grayscale images, e.g., satellite, medical, ...

JPEG is an image compression standard that was developed

- JPEG is a lossy image compression method. It employs a transform coding method using the DCT (Discrete Cosine Transform).
- An image is a function of i and j (or conventionally x and y) in the spatial domain.

- The 2D DCT is used as one step in JPEG in order to yield a frequency response which is a function $F(u, v)$ in the spatial frequency domain, indexed by two integers u and v .

2. JPEG Encoding



Decoding -- Reverse the order

Main Steps in JPEG Image Compression

- Transform RGB to YIQ or YUV and subsample color.
- DCT on image blocks.
- Quantization.
- Zig-zag ordering and run-length encoding.
- Entropy coding.

Q. What is data redundancy in the context of data compression?

- a. The process of increasing data size
- b. The process of reducing data size
- c. Extra data that repeats or restates known information
- d. The process of encoding data

Answer: c. Extra data that repeats or restates known information

Q2. What does the compression ratio (CR) of 10:1 indicate?

- a. 10% data redundancy
- b. 90% data redundancy
- c. 10% data compression
- d. 90% data compression

Answer: b. 90% data redundancy

Q3. What type of redundancy is related to the correlations between neighboring pixels in an image?

- a. Data redundancy
- b. Psychovisual redundancy
- c. Interpixel redundancy
- d. Information redundancy

Answer: c. Interpixel redundancy

Q4. What is the main purpose of quantization in image compression?

- a. To increase data redundancy
- b. To eliminate psychovisual redundancy
- c. To map a broad range of input values to a limited number of output values
- d. To reduce interpixel correlations

Answer: c. To map a broad range of input values to a limited number of output values

Q5. What does JPEG stand for, and what is its primary method of compression?

- a. JPEG stands for "Just Photographic Enhancement," and it uses lossless compression.
- b. JPEG stands for "Joint Photographic Expert Group," and it uses lossy compression with the Discrete Cosine Transform (DCT).
- c. JPEG stands for "Jumbled Pixel Encoding," and it uses run-length encoding.
- d. JPEG stands for "Joint Pixel Extraction," and it uses entropy coding.

Answer: b. JPEG stands for "Joint Photographic Expert Group," and it uses lossy compression with the Discrete Cosine Transform (DCT).