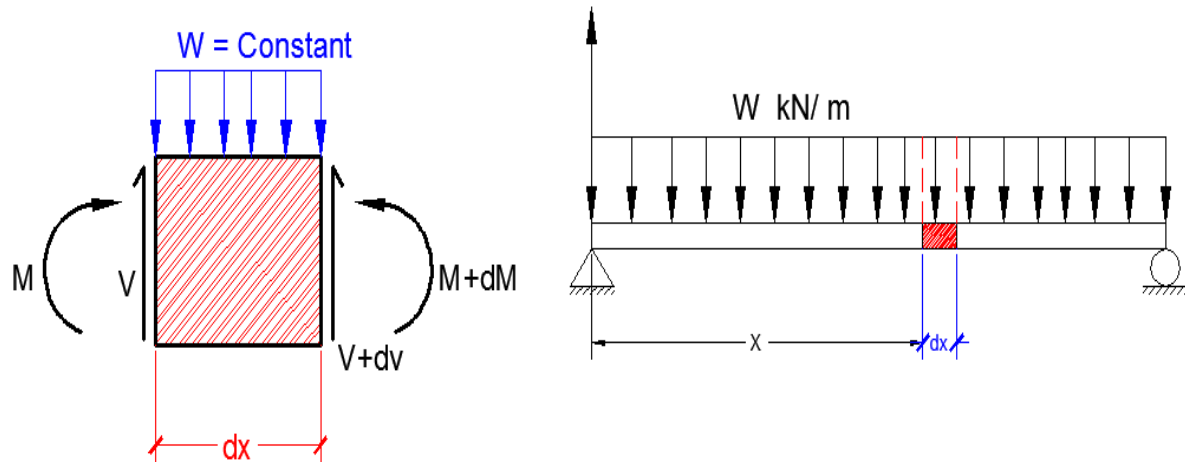


## Shear force, Bending Moment and Axial Force Diagrams.



For the strip of width (dx) infinitesimal element

$$\sum f_y = 0$$

$$V + dv = v + w * dx$$

$$W = \frac{dv}{dx} \text{ ----- 1}$$

Slope of shearing force diagram of any section equal to the intensifying the load at that section.

By integration:-

$$\int_{v_1}^{v_2} dv = \int_{x_1}^{x_2} w(x). dx$$

$$V]_{v_1}^{v_2} = \int_{x_1}^{x_2} w(x). dx$$

$$V_2 - V_1 = \int_{x_1}^{x_2} w(x). dx$$

$$\Delta V = \int_{x_1}^{x_2} w(x). dx \text{ -----2}$$

Changing in shearing force between  $x_1$  &  $x_2$  section equals the total applied load between  $x_1$  &  $x_2$ .

$$\sum M_O = 0$$

$$M + dM = M + Vdx + \frac{W(x) dx^2}{2}$$

$$\frac{W(x) dx^2}{2}, \text{ neglect because is small magnitude}$$

$$dM = v \cdot dx$$

$$Vx = \frac{dM}{dX} \text{----- 3}$$

Slope of bending moment diagram at any section equals the shear force at that section.

By integration:-

$$\int_{M_1}^{M_2} dM = \int_{x_1}^{x_2} V(x) \cdot dx$$

$$M]_{M_1}^{M_2} = \int_{x_1}^{x_2} V(x) \cdot dx$$

$$M_2 - M_1 = \int_{x_1}^{x_2} V(x) \cdot dx$$

$$\Delta M = \int_{x_1}^{x_2} V(x) \cdot dx \text{----- 4}$$

Change in bending moment diagram between section  $x_1$  &  $x_2$  equal to the area under ( $v$  – diagram) between  $x_1$  &  $x_2$  plus any additional concentrated moment applied between  $x_1$  &  $x_2$ .

**Differentiate Equation:-**

With respect to  $x$

$$\frac{dv}{dx} = \frac{d^2M}{dx^2}, \text{ Then sub into equ. 1}$$

$$W = \frac{d^2M}{dx^2} \text{----- 5}$$

**Sign Convention:-**

## 1- Internal force:-

a) Axial: tensile +ve  
Comp. -ve

b) Shear: on left segment

Down word +

Up word -

c) Bending Moment:

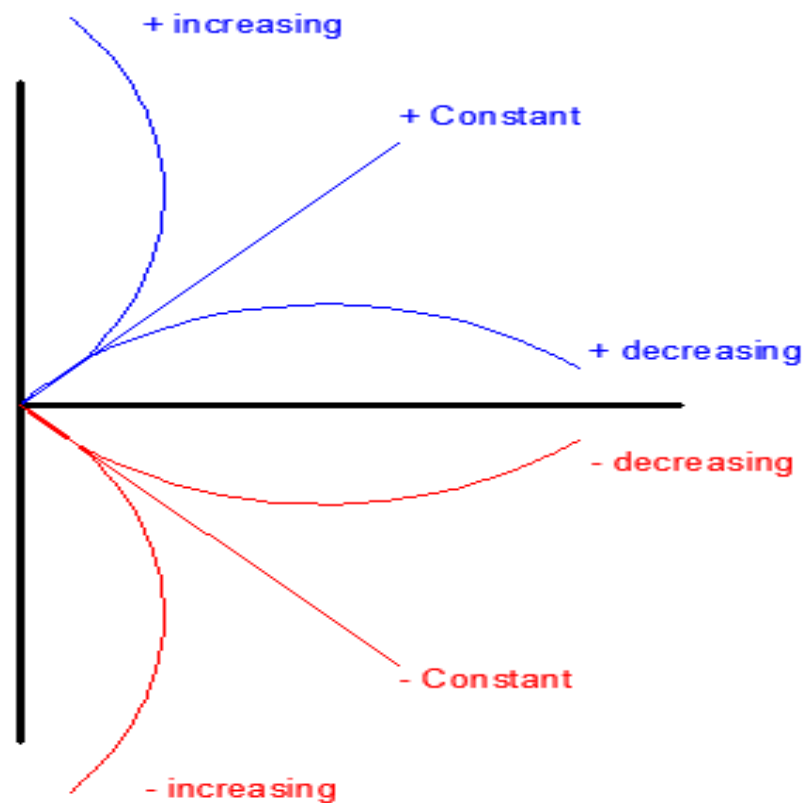
## 2- External force:-

a- Up word force +ve

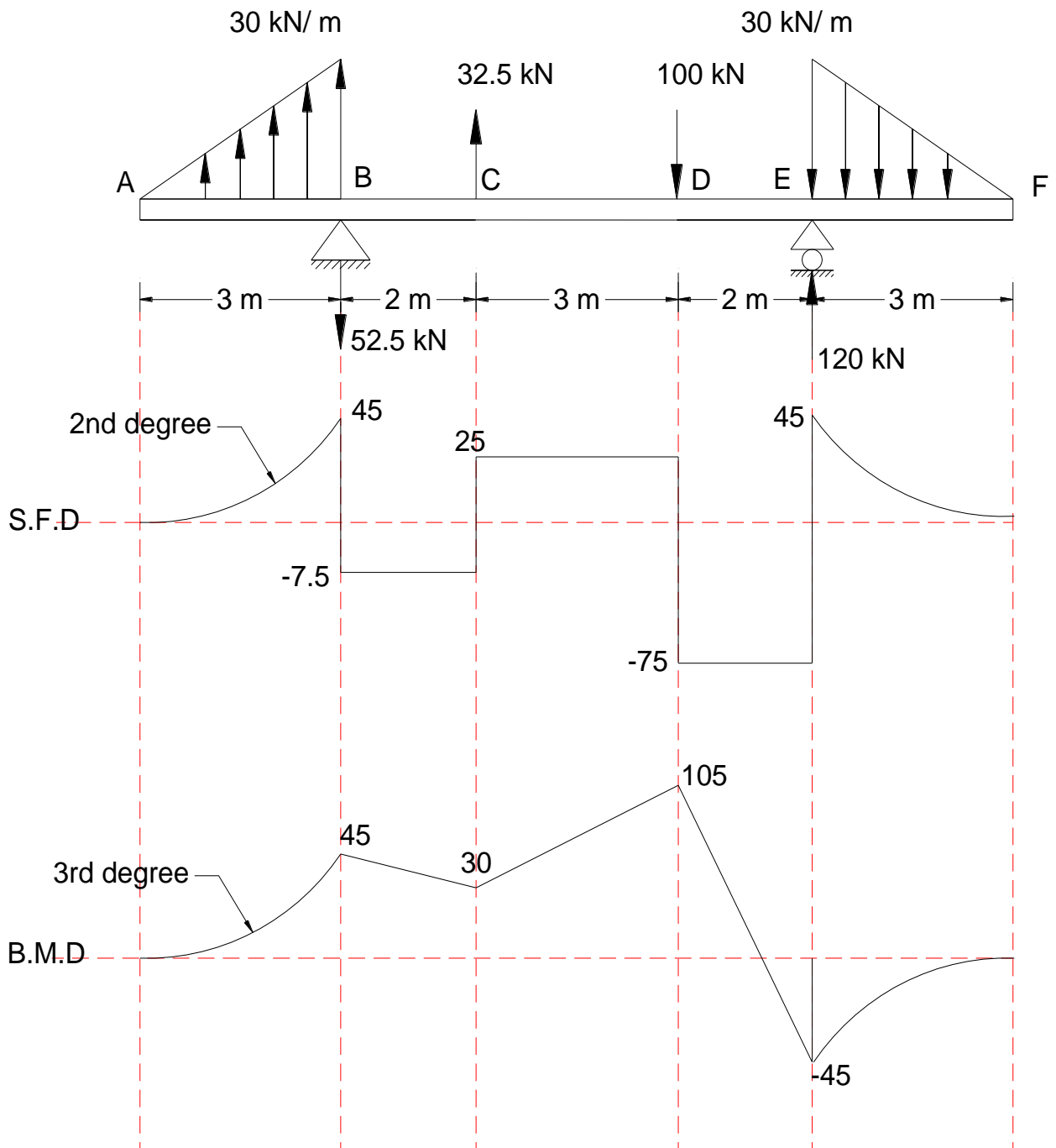
b- Clockwise moment +ve

c- Axial force to the left +ve

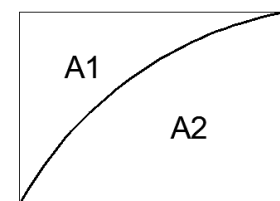
## 3- Curves:-



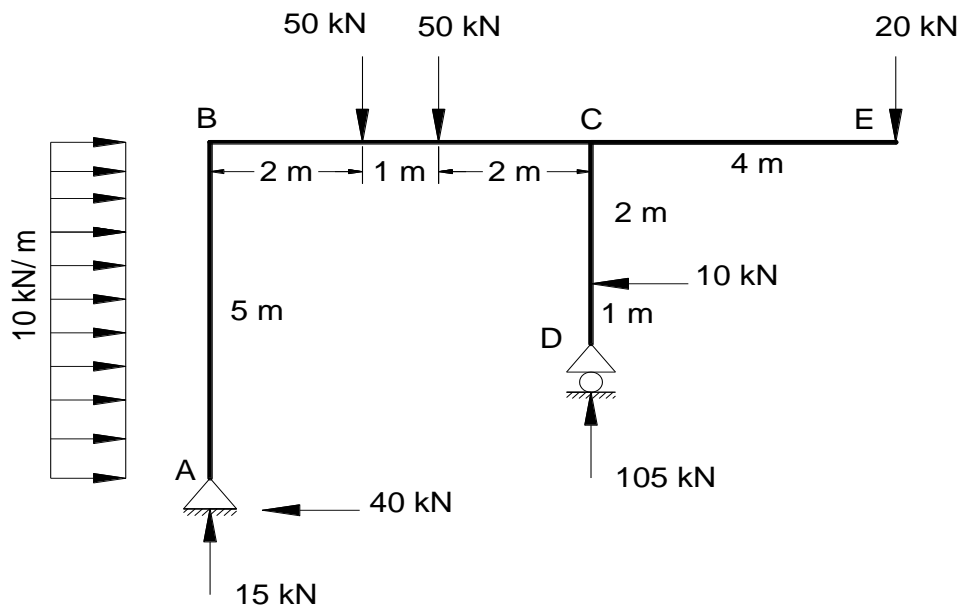
EX1:- Draw the axial force; shear force and bending moment diagrams.



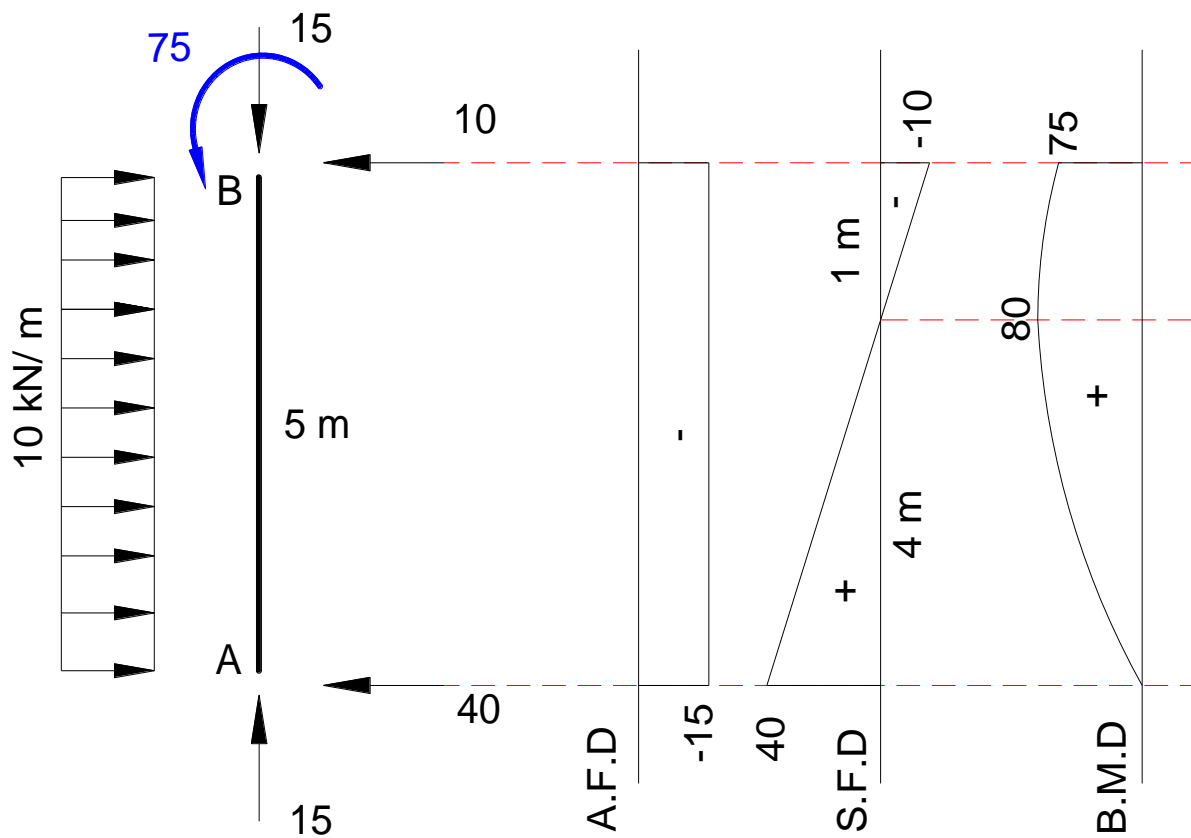
$A_1 = 1 / (n+1)$ , الكيرف مقعر     $A_2 = n / (n+1)$ , الكيرف محدب



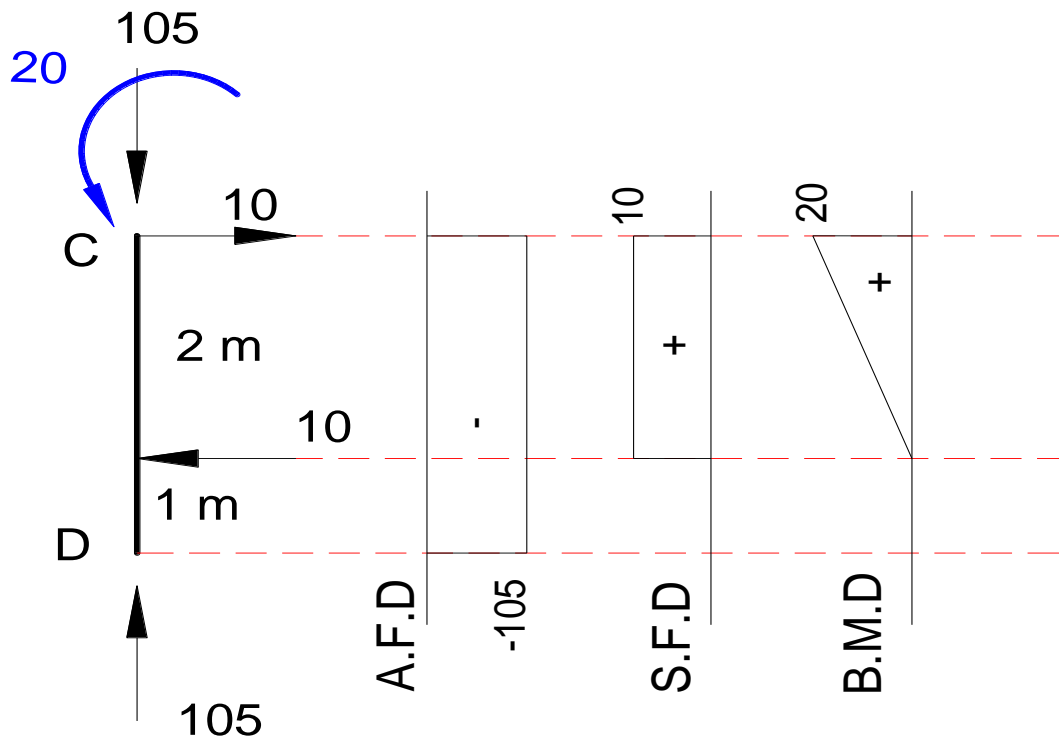
EX2: Draw the axial force; shear force and bending moment diagrams for the frame shown below.



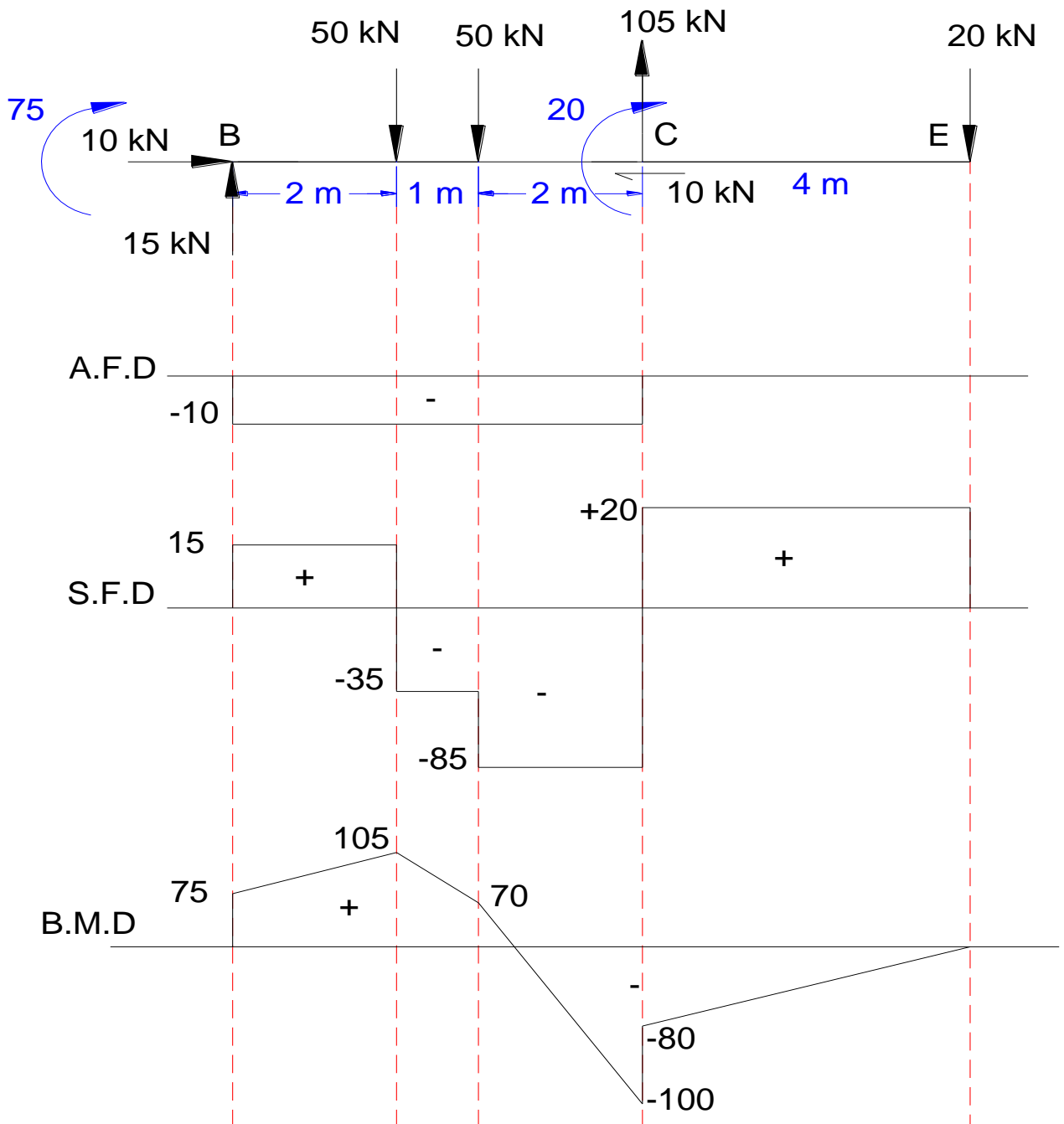
Sol: - **SEGMENT (AB)**



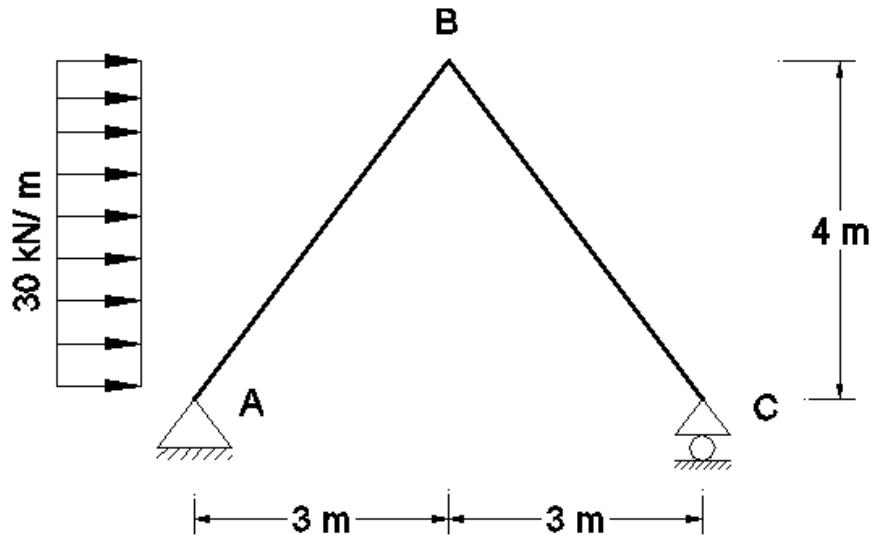
Segment (DC)



Segment BCE



EX3:- Draw the axial force; shear force and bending moment diagrams for the frame as shown below.



Sol:

$$\sum M_A = 0$$

$$C_y \cdot 6 - (120 \cdot 2) = 0, C_y = 40 \text{ kN} \uparrow$$

$$\uparrow \sum F_y = 0, 40 + A_y = 0, A_y = -40 \text{ kN} = 40 \text{ kN} \downarrow$$

$$\sum F_x = 0, 120 - A_x = 0, A_x = 120 \text{ kN} \leftarrow$$

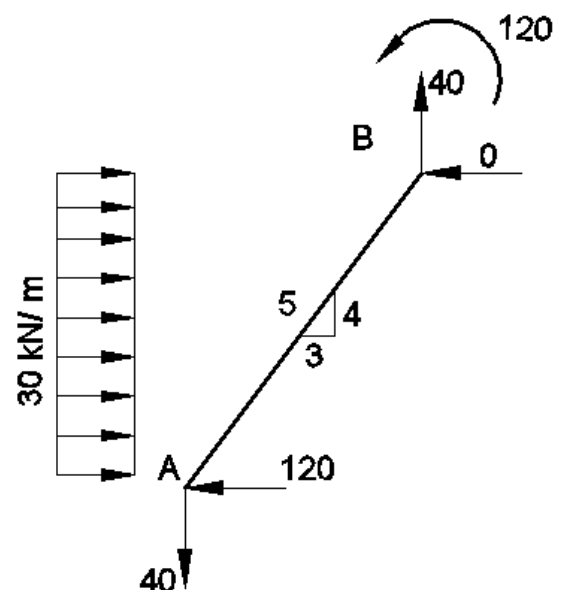
For segment. AB

$$\uparrow \sum F_y = 0, -40 + B_y = 0, B_y = 40 \text{ kN} \uparrow$$

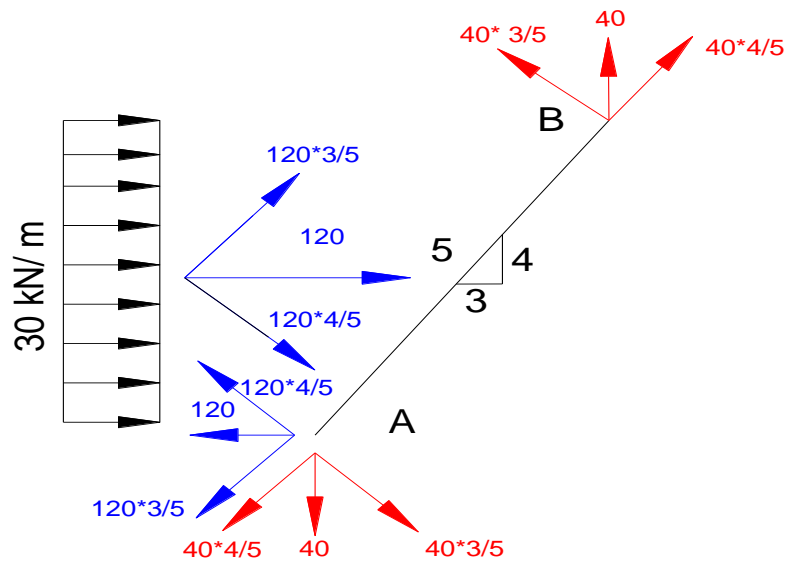
$$\rightarrow \sum F_x = 0, 120 - 120 - B_x = 0, B_x = 0$$

$$\sum M_B = 0, M_B + 120 \cdot 2 + 40 \cdot 3 - 120 \cdot 4 = 0$$

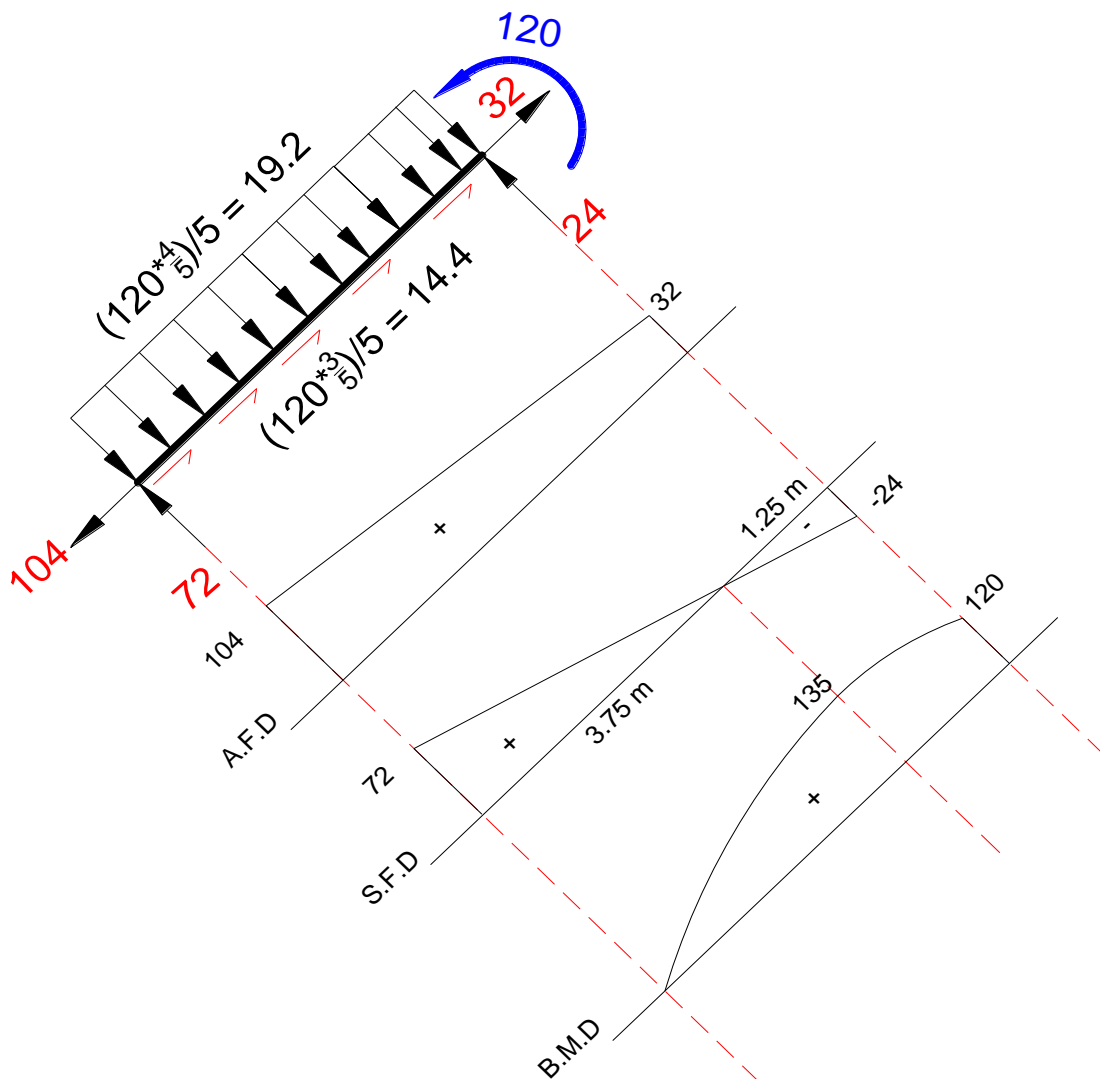
$$M_B = 120 \text{ kN.m}$$



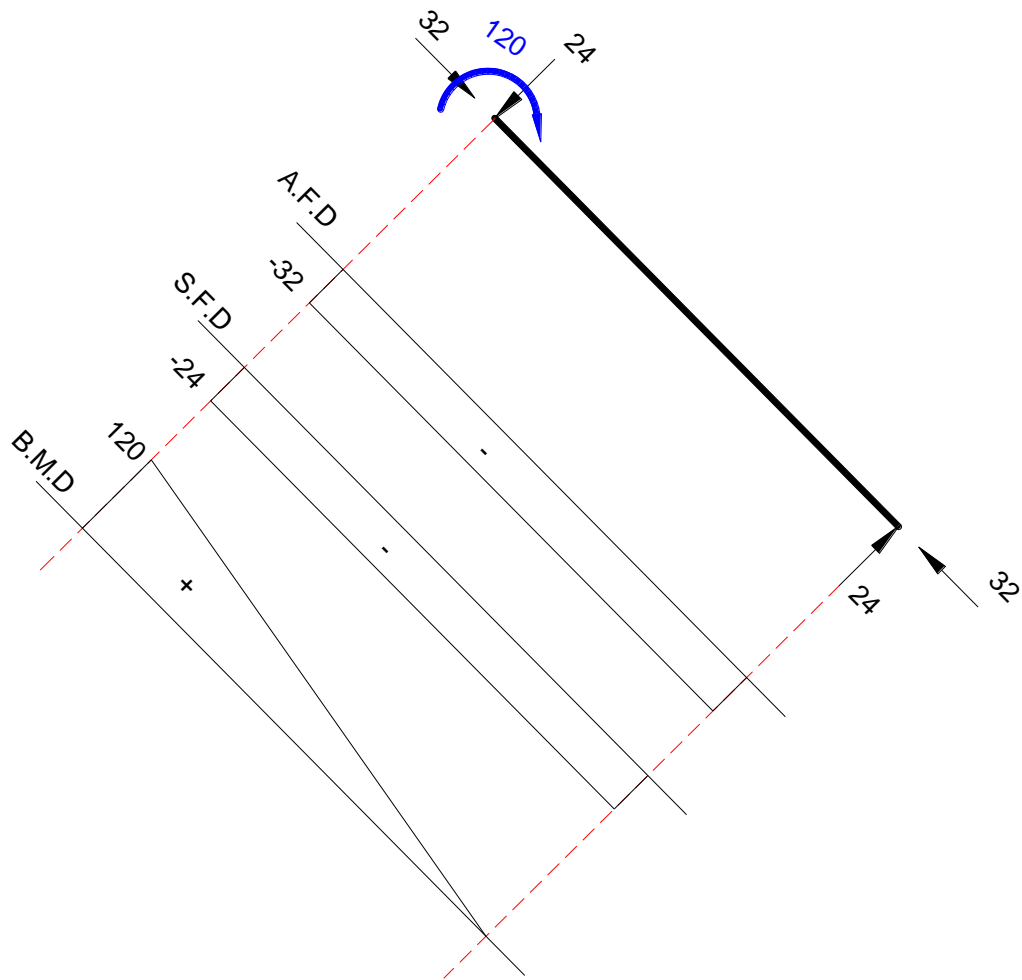




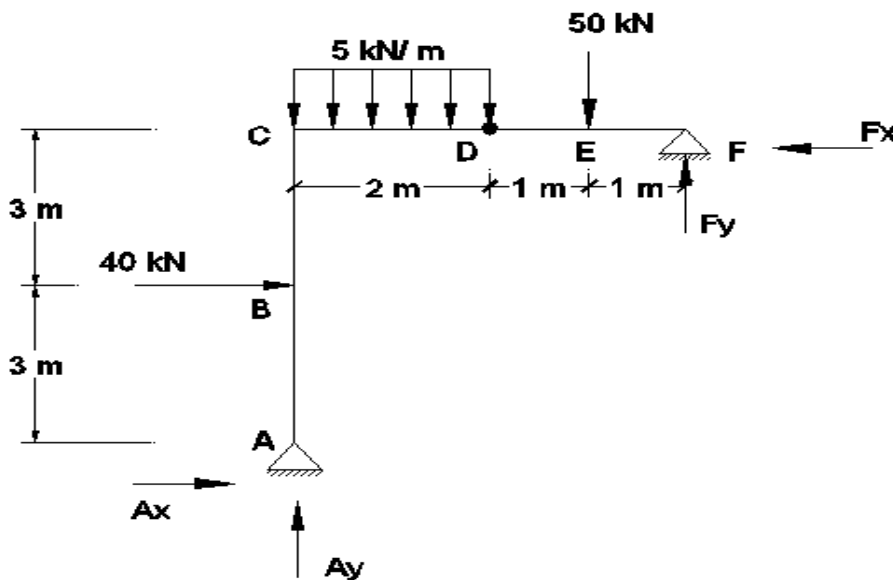
Segment AB.



Segment BC



EX4: Draw the axial force; shear force and bending moment diagrams for the frame shown below.



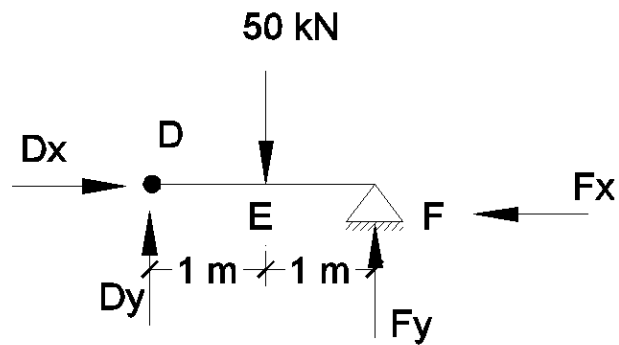
Sol:

For segment (DEF)

$$\sum M_D = 0,$$

$$F_y * 2 - (50 * 1) = 0$$

$$F_y = 25 \text{ kN } \uparrow$$



For whole structure

$$\sum M_A = 0 \Rightarrow F_x * 6 + (25 * 4) - (50 * 3) - (10 * 1) - (40 * 3) = 0$$

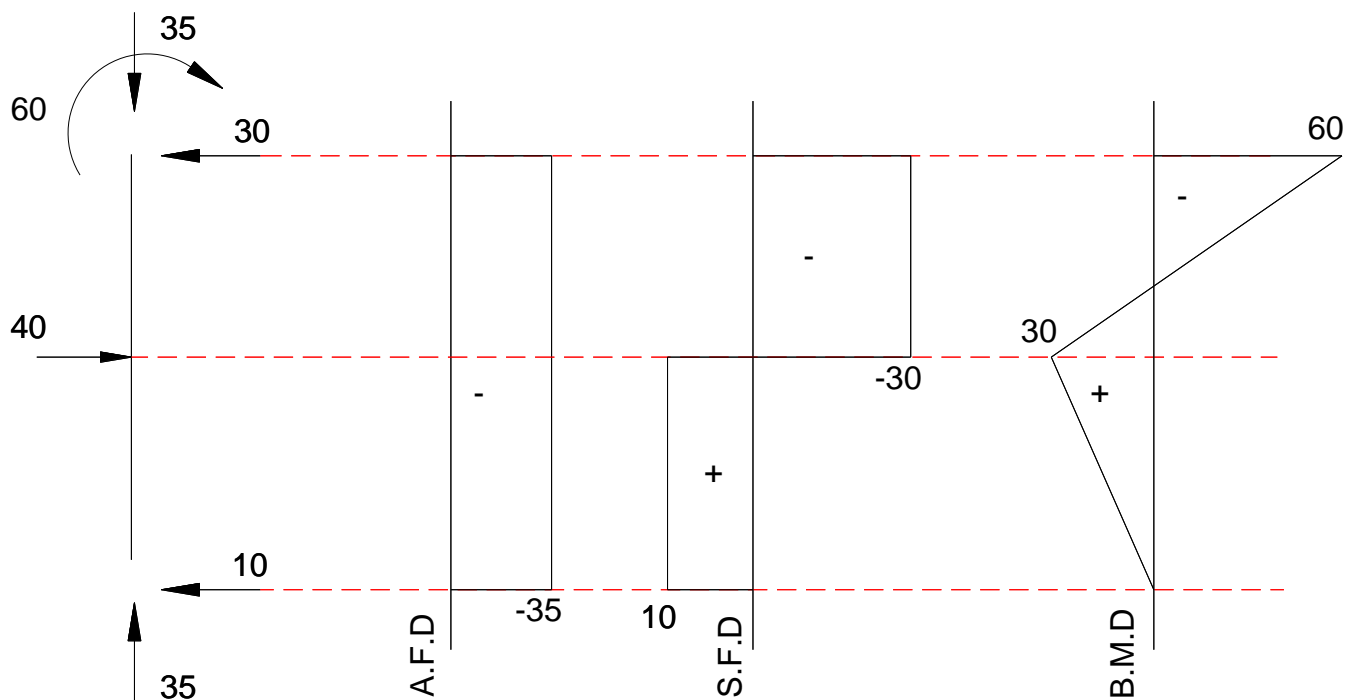
$$F_x = 30 \text{ kN } \leftarrow$$

$$\uparrow \sum F_y = 0,$$

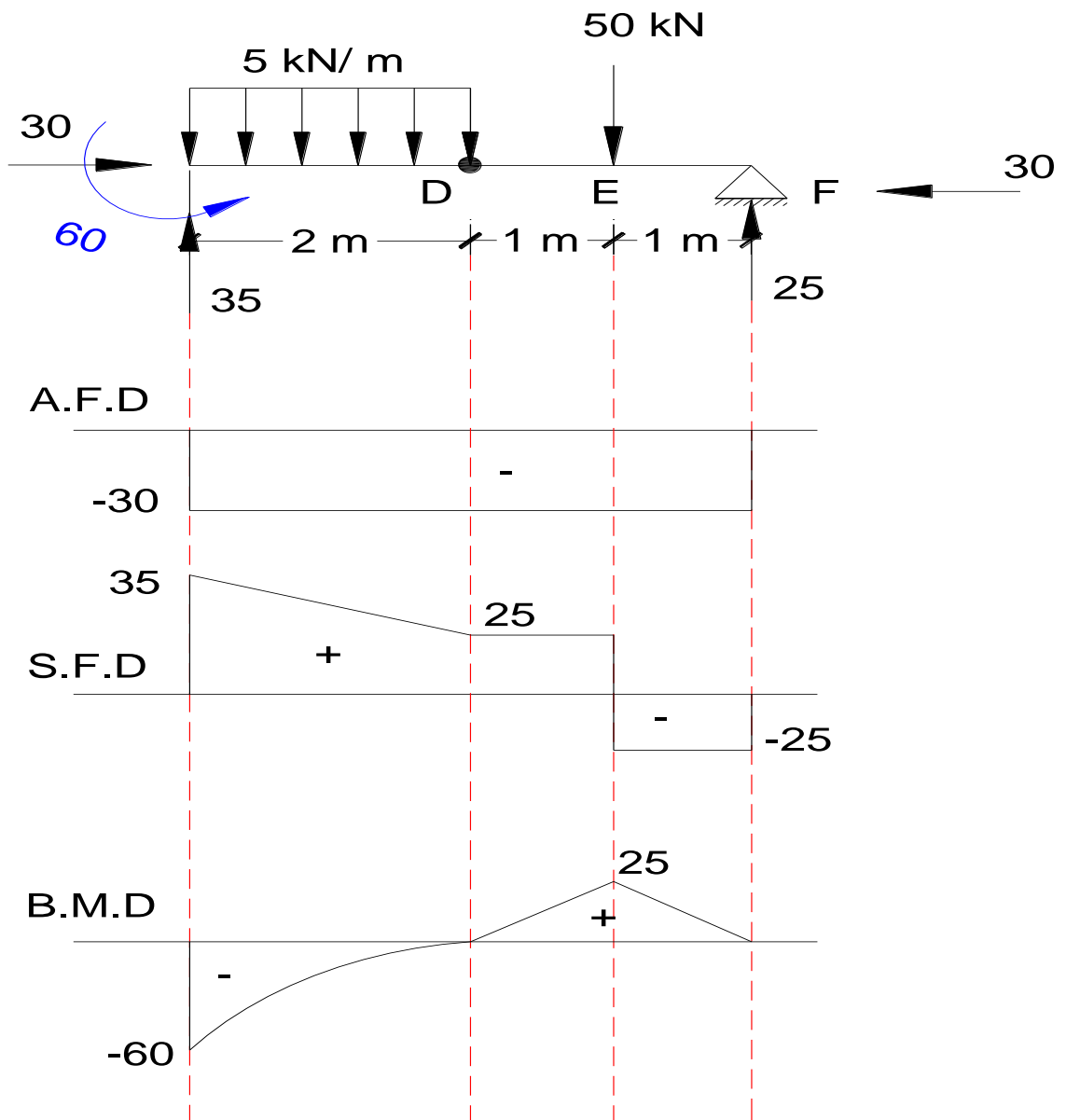
$$A_y + 25 - 50 - (5 * 2) = 0, \Rightarrow A_y = 35 \text{ kN } \uparrow$$

$$\rightarrow \sum F_x = 0, \Rightarrow -A_x - 30 + 40 = 0, \Rightarrow A_x = 10 \text{ kN } \leftarrow$$

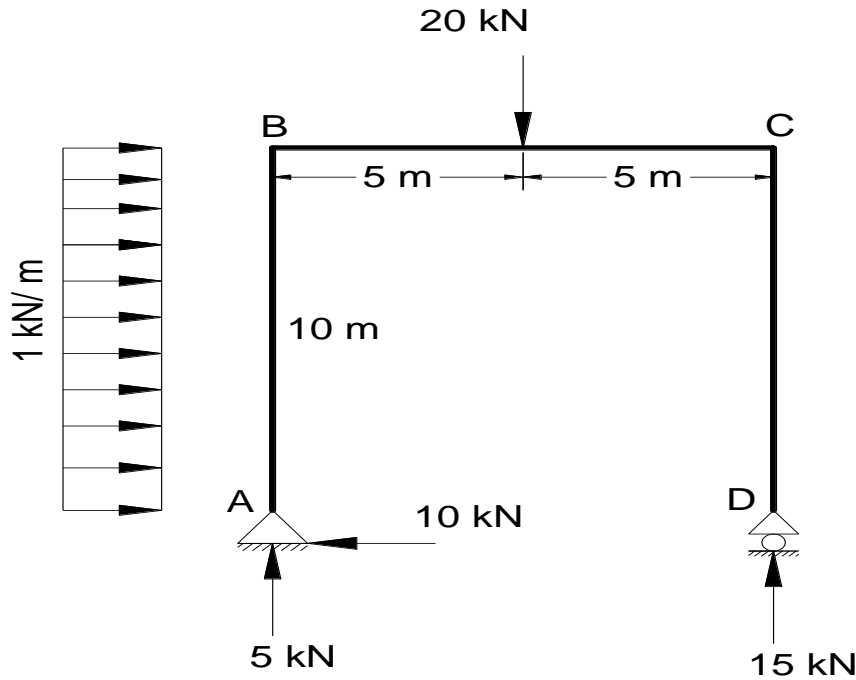
Segment ABC



Segment CDEF

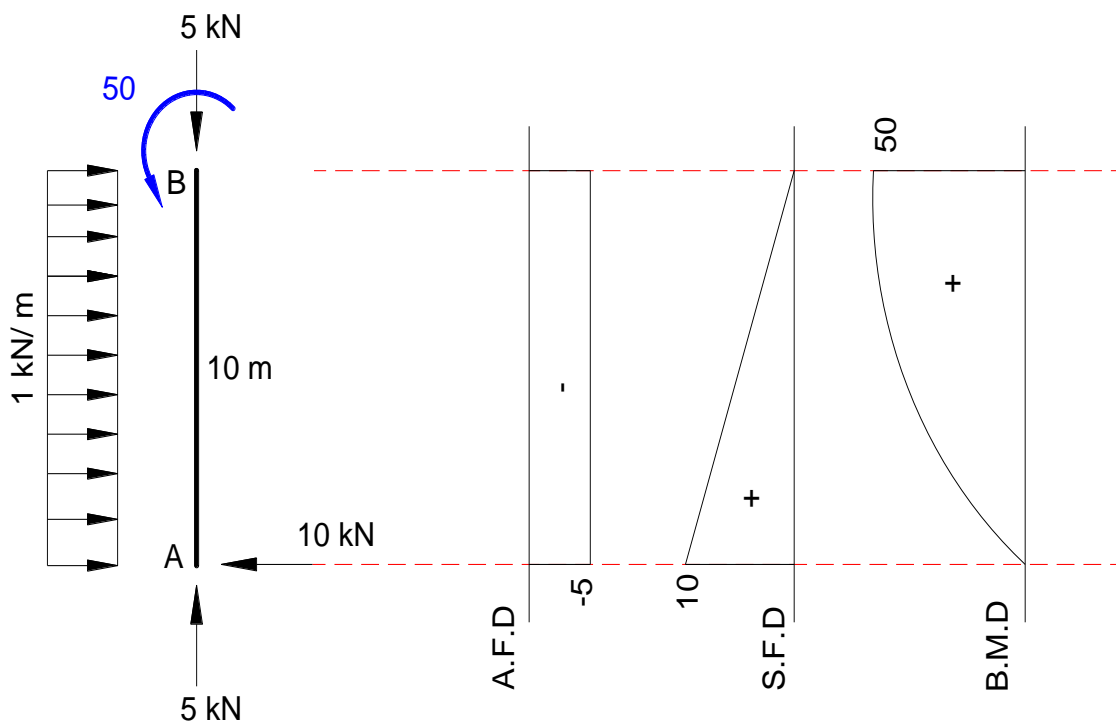


EX5: Draw the axial force; shear force and bending moment diagrams for the frame shown below.

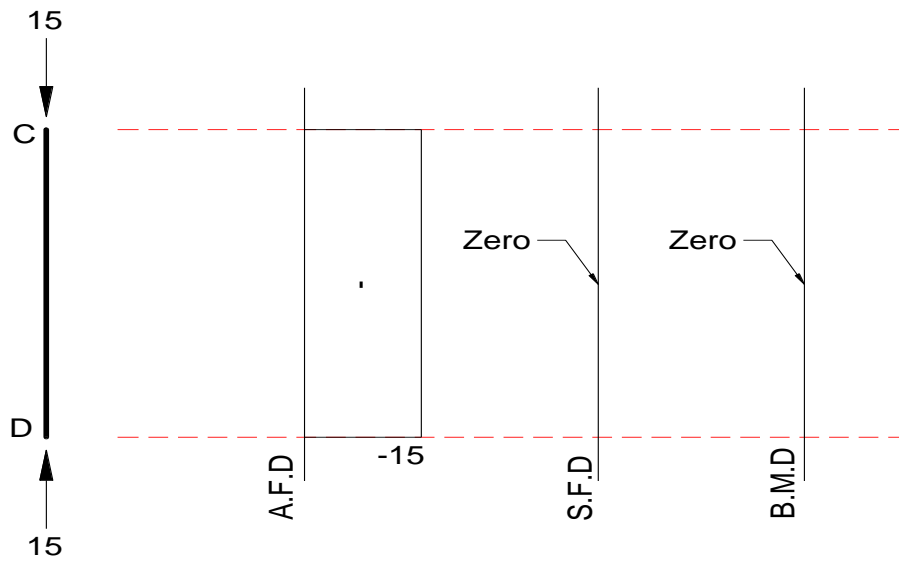


Sol:-

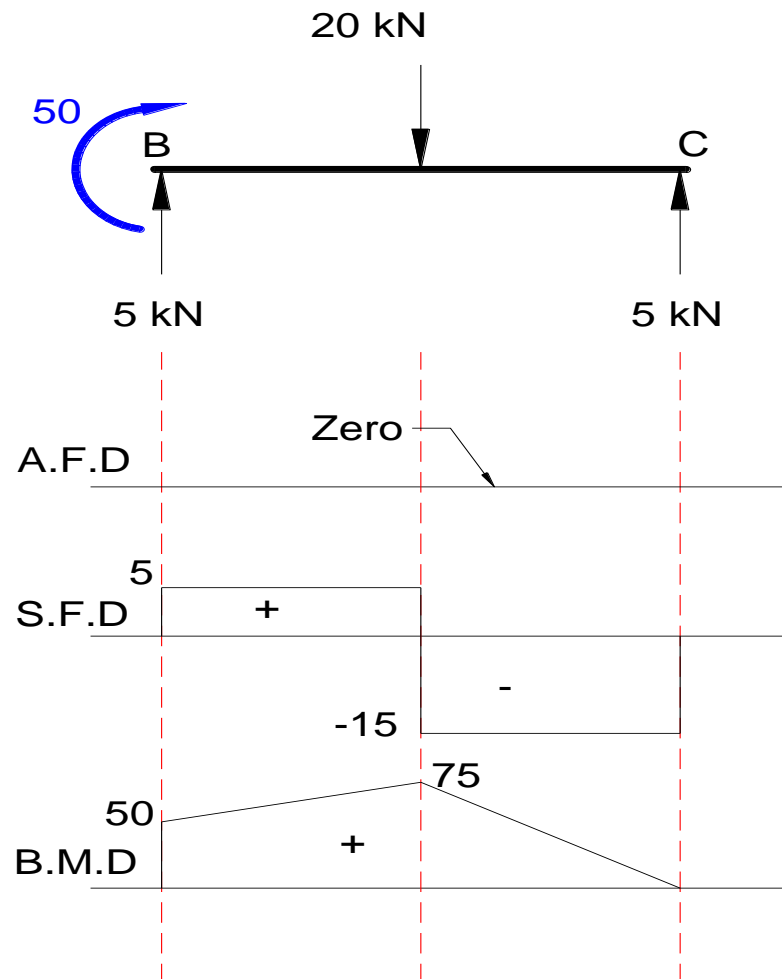
For Member AB:



For Member CD:



For Member BC:



H.W: Draw the axial force; shear force and bending moment diagrams for the frame shown below.

