

4-Bit Binary Adder/Subtractor

1. Introduction

1. Objective:

- To understand how to convert numbers from binary to decimal format and vice versa.
- To study parallel adding and subtraction of 4-bit binary numbers with carry.

1.2 Components:

1. ST2611 Digital Circuit Development Platform trainer with power supply cord
2. DB19 4-Bit Parallel Adder/Subtractor
3. Set of wires

1.3 Theory:

In order to understand the binary arithmetic circuits and the principles of addition and subtraction, we need to know how to convert between binary and decimal numbers. In the decimal system, each position from the right represents a larger power of ten, starting with 10^0 . For example:

$$1996_{10} = 1 \times 10^3 + 9 \times 10^2 + 9 \times 10^1 + 6 \times 10^0$$

Likewise, in the binary number system, which is also positional, each position from the right represents a larger power of two, starting with 2^0 .

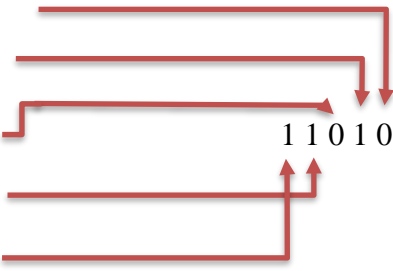
Binary to Decimal Conversion

For any binary number in a column i , add the decimal number represented by 2 to the i th power when the binary number is 1 and ignore when it is zero. For example:

- Number to be converted: 1 0 1 0 1 1 0 1
- Power of 2 of columns: 2^7 2^6 2^5 2^4 2^3 2^2 2^1 2^0
- Number represented: 128 64 32 16 8 4 2 1
- Thus the decimal number is: $128 + 0 + 32 + 0 + 8 + 4 + 0 + 1 = 173$

Decimal to Binary Conversion

For decimal to binary conversion, we have two methods. The easiest way to convert decimal integers to binary is the method of Successive Division. In this method, we simply divide the decimal number by 2. The quotient becomes the new number to divide again while the remainder, which will always be 1 or 0, becomes one bit of the binary number, least significant digit first. The last quotient will always be 0, and the last remainder always 1. Division continues until the quotient is 0 (with a last remainder of 1). Thus, converting 26 to binary:

$26 \div 2 = 13,$		remainder 0
$13 \div 2 = 6,$		remainder 1
$6 \div 2 = 3,$ remainder 0		
$3 \div 2 = 1,$ remainder 1		
1		

$11010_2 = 26_{10}$

$$1 \div 2 = 0, \text{ remainder } 1$$

The other method to convert decimal to binary is called Subtraction method which can be done by observing the number and subtracting it from the highest number of two to the power that is less than or equal to the number that need to be converted. So, first you need to list the two to the power values until you exceed the number. Such as the following example:

- Number to be converted is: 23
- List of the power of two: 2^5 2^4 2^3 2^2 2^1 2^0
- Number represented: 32 16 8 4 2 1

Now, subtract 23 from 16 because it is the highest number that is before 23

$$23 - 16 = 7 \quad \text{The higher number that is near to 7 but less than 7 is 4}$$

$$7 - 4 = 3 \quad \text{The higher number that is near to 3 but less than 3 is 2}$$

$$3 - 2 = 1 \quad \text{The higher number that is near to 1 is 1}$$

As you can see the subtraction continue until you get to the last number which is 1.

Now, let's list the values that are represented the power of two again and highlight the chosen numbers then put 1 under the highlighted number and 0 for the other to get the binary number:

$$\begin{array}{cccccc} 16 & 8 & 4 & 2 & 1 & \\ 1 & 0 & 1 & 1 & 1 & \end{array}$$

So, this is the binary number of 23 decimal number. As if you noticed we didn't take the 32 into the account because 0 to the left of the number doesn't mean anything as we know.

Parallel Adder

In our experiment today, we will learn about adding two four-digit numbers to each other by using the Parallel Adder which can add multiple-digit numbers, assuming that the addend would be the A inputs, and the augend would be the B inputs. For this explanation, see the following addition:

$$\begin{array}{cccc} \begin{array}{c} 0 \\ + \\ 0 \\ \hline 0 \end{array} & \begin{array}{c} 0 \\ + \\ 1 \\ \hline 1 \end{array} & \begin{array}{c} 1 \\ + \\ 0 \\ \hline 1 \end{array} & \begin{array}{c} 1 \\ + \\ 1 \\ \hline 0 \\ 1 \end{array} \end{array}$$

As you can see $0 + 0$ will give us 0, $0 + 1$ will give us 1, same thing for $1 + 0$ it will produce 1, but in the case of $1 + 1$ the number cannot be 2 as in normal addition because as we said previously the binary numbers can only be 0 or 1. So in this case, the answer will be 0 with a carry out 1 where this carry can be added to the number of the next column if there is one. For the following example, four digits number (addend) will be added to another four digits number (augend), working from right to left as we do in normal addition:

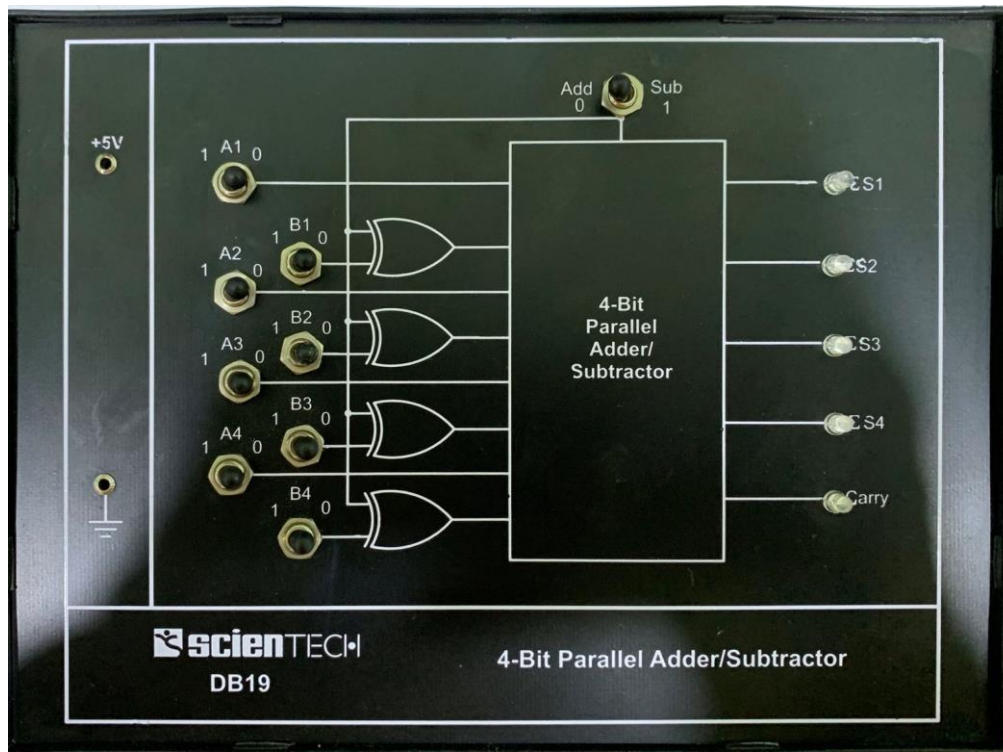


Figure 1: DB19 Panel 4-Bit Parallel Adder/Subtractor

2. Experiments:

2.1 Exercise 1 Adding Two 4-Bit Binary Numbers:

1. Place the DB19 panel shown in Figure 1 on the trainer.
2. To provide power to the board, connect +5 V pin from the trainer on the left side to +5V pin on the DB19 using a wire.
3. Connect GND pin from the trainer on the left side to ground symbol pin on the DB19.
4. Turn on the power supply.
5. Move the dip switch on the top left side of the panel to Add mode.
6. To execute this exercise, move switches A1 to 1, A2 to 1, A3 to 0, A4 to 1.
7. Then move B1 to 1 and keep B2, B3, B4 at 0.
8. Observe the LED lights output on the right side of the panel and fill out Table 1.
9. Repeat for 3 more addition operations.
10. Verify the obtained Truth Table.

A4	A3	A2	A1	B4	B3	B2	B1	Carry	S4	S3	S2	S1
1	0	1	1	0	0	0	1					

Table 1: Addition of Two 4-Bit Binary Numbers.

2.2 Exercise 2 Subtraction of Two 4-Bit Binary Numbers:

1. Keep the previous connections.
2. Move the dip switch on the top right side of the panel to Sub mode.
3. Observe the LED lights output on the right side of the panel and fill out Table 2.
4. Repeat for 3 more subtraction operations.
5. Verify the obtained Truth Table.

A4	A3	A2	A1	B4	B3	B2	B1	Carry	S4	S3	S2	S1
1	0	1	1	0	0	0	1					

Table 2: Subtraction of Two 4-Bit Binary Numbers.

3. Discussion:

1. Convert the following binary numbers to decimal? (a) 1011101_2 ; (b) 1101110_2 .
2. Convert the following decimal numbers to binary? (a) 32_{10} ; (b) 29_{10} .
3. Add the following two binary numbers to each other and verify your solution.

$$\begin{array}{r}
 0\ 1\ 1\ 0\ 1 \\
 +\ 1\ 1\ 1\ 1\ 0 \\
 \hline
 \end{array}$$